

FEATURES
Available in 10-50 circuits

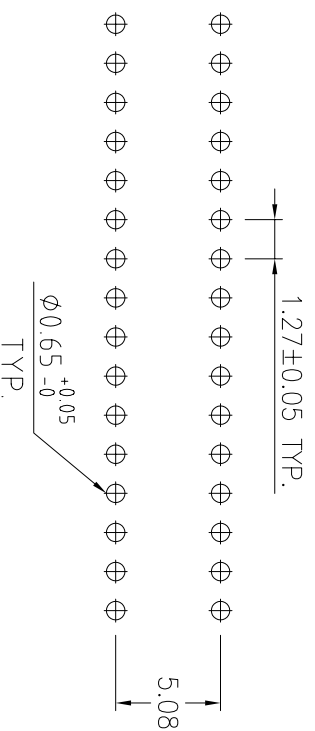
MATERIAL

Contact material: Brass
Insulator Material: Polyester, UL 94 V-0

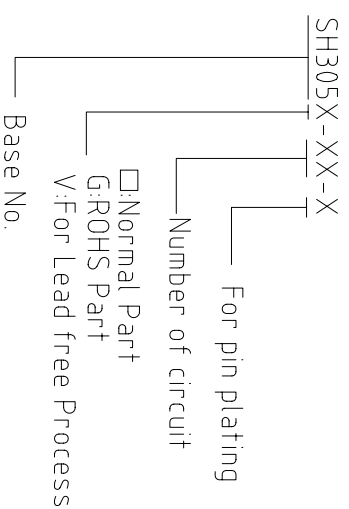
SPECIFICATIONS

Current Rating: 1AMPS
Insulation resistance:500 MΩ min.
Dielectric withstanding Voltage: 500 VAC/DC
Operating Temperature: -45°C to +105°C
Contact resistance:20m Ω max.

A=1.27×(No. of Contact-1)
B=1.27×(No. of Contact/2)+0.30



HOW TO ORDER



RECOMMENDED PCB LAYOUT

LONG CHU ELECTRONICS CO. LTD
LCU 龍竹企業股份有限公司

DESCRIPTION:

1.27mm Dual Row Side Entry Female Header

MATERIAL	SEE LIST	UNIT	mm	GENERAL TOLERANCE	SIZE	P/N	SHEET NO.
DR.	nina chen	RE.		0. ±±.50	A4	SH305 SERIES	
CHK.		APP.		0.0 ±±.30	SCALE	REV. A	
REV.	REV. RECORD	DATE		0.00 ±±.20			